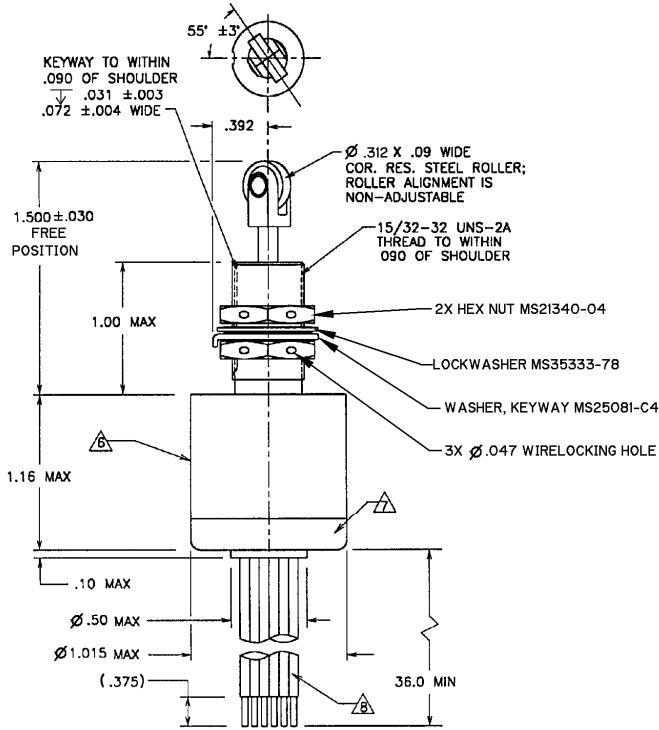
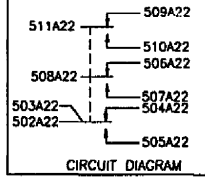


MICRO SWITCH
a Honeywell Division
FED. WFO. CODE 91929

SWITCH - ENCLOSED

CATALOG LISTING
ML-1376



NOTES

- 1 - COINCIDENCE OF OPERATING AND RELEASING POINTS: .010 OF PLUNGER TRAVEL
- 2 - CORROSION RESISTANT STEEL ENCLOSURE, PLUNGER AND ROLLER
- 3 - SWITCH SEALED PER MIL - PRF - 8805 SYMBOL 3
- 4 - BASIC SWITCHES HAVE SOLID GOLD CONTACTS
- 5 - SWITCH CURRENT LEVELS SHALL NOT BE MORE THAN 100 MILLIAMPS @ 28 VDC
- 6 - PRINT CIRCUIT DAGRAM, CATALOG LISTING, DATE CODE AND NAVAIR PART NUMBER 1534AS392-2 ON NAMEPLATE
- 7 - PLASTIC MATERIALS SHALL CONFORM TO MIL - M - 14 OR MIL - M - 24519
- 8 - 10X MIL - W - 22759/ 11-22-9 WIRE LEADS MARKED WITH CIRCUIT IDENTIFICATION AND WIRE GAGE PER MIL - W - 5088

THIS DRAWING COVERS A PROPRIETARY ITEM AND IS THE PROPERTY OF MICRO SWITCH, A DIVISION OF HONEYWELL. THIS DRAWING IS NOT TO BE COPIED OR USED WITHOUT THE APPROVAL OF MICRO SWITCH

THIRD ANGLE PROJECTION

CHARACTERISTICS	
OPERATING FORCE	34.1 LBS
FULL OVERTRAVEL FORCE	7 LBS MAX
RELEASE FORCE	.5 LBS MIN
PRETRAVEL	.040 MAX
DIFFERENTIAL TRAVEL	.020 MAX
OVERTRAVEL	.125 MIN

ELECTRICAL DATA		
CONTACT ARRANGEMENT		
3X SPDT		
LOAD	SEA LEVEL	50,000 FEET
RES	1	1
IND	.5	.5
MOTOR		

DO NOT SCALE PRINT	
UNLESS OTHERWISE SPECIFIED TOLERANCES ARE	
ONE PLACE	(.01) ± .030
TWO PLACE	(.001) ± .015
THREE PLACE	(.0001) ± .005
ANGLES	±
WEIGHT	

CATALOG LISTING
ML-1376
 ISSUE 1
M
 PAGE 1 OF 1
 RELEASE NO. PR-24297
 REPLACES
 CHECK
 REVISIONS
 CHECK
 SA V
 11 NOV 99
 CHECK
 11 NOV 99
 DRAWN
 G J W
 FORMTEK